



# Hose Reels

A Complete Family of High Quality Reels for Hose Management



PROVEN QUALITY. LEADING TECHNOLOGY.

# What Makes a Good Hose Reel?

Durability, performance and value built into every one of our new hose reels.

A robust frame, hose length and size are important, but the spring, latch and swivel are really the core of a hose reel. Our new spring design makes it easy to pull down—especially those last 10 feet, and a spring latch that retracts the hose so you don't have to fight to get it to operate. Plus, a durable full-flow swivel to maximize material flow with minimal pressure drop. See for yourself why Graco hose reels out-perform the competition.



## Single or Dual Pedestal Options

Heavy-duty, high-strength steel construction with rolled edges and ribbed stress points for more strength than ever before

## Improved High-Demand Spring

Long-life spring extends and retracts with constant force to reduce user fatigue

## Full-Flow Swivel

Maximize material flow with minimal pressure drop

## Spring Adjustment

Increase or decrease spring tension while reel is pressurized with fluid (XD models only)

## Larger Hose Capacity with Smaller Profile

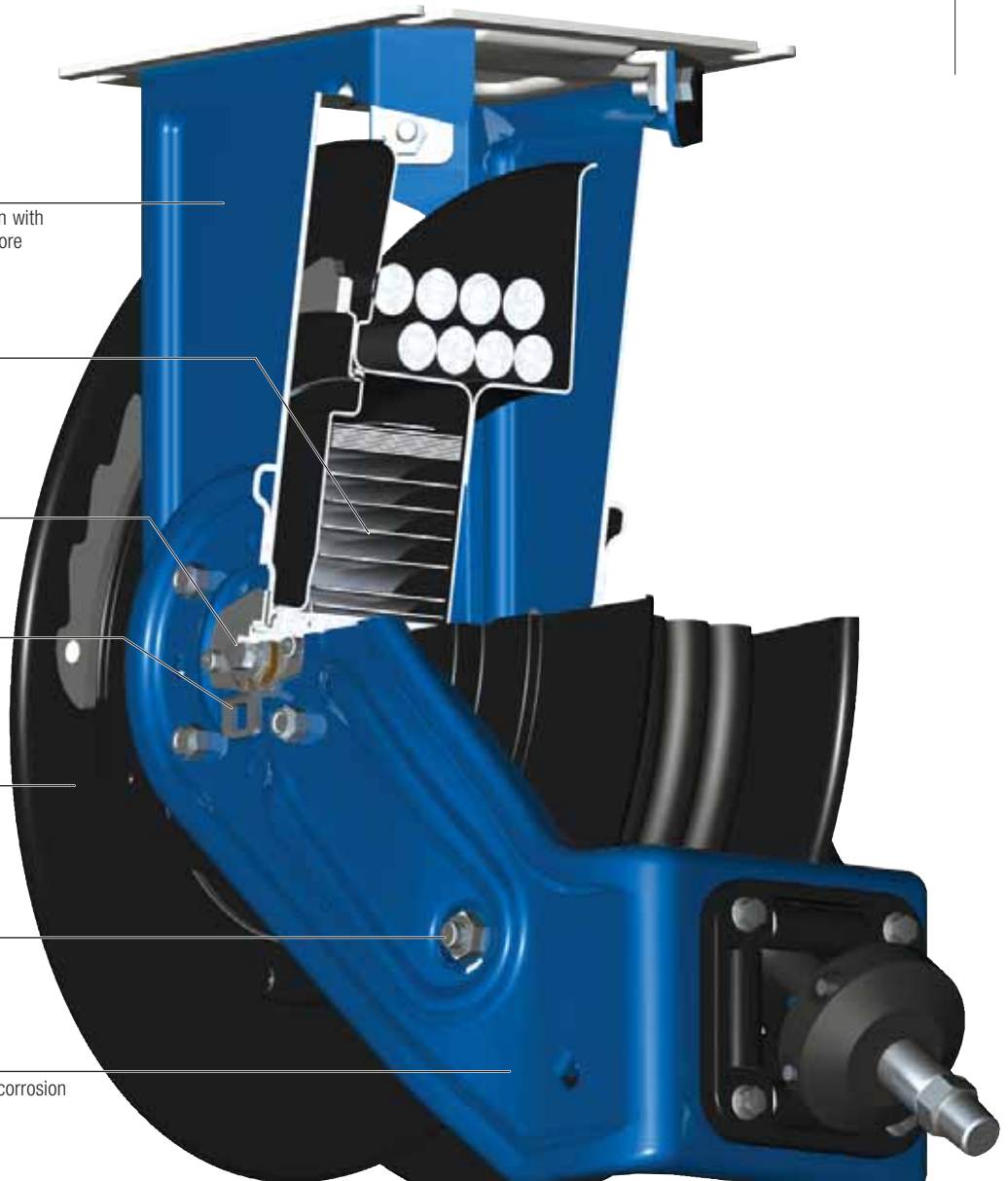
Compact pedestal and spool fits into tight spaces and can accommodate 35-65 foot (10-20 meters) hose capacity for a wide variety of applications

## Improved Latch Design

No more frustrating lock-out at full hose extension

## Durable Finish in More Colors

Baked-on enamel finish protects reel from corrosion for longer life—now available in six colors



XD model shown

Standard color: metallic blue.

Additional five colors available. Consult factory for lead times.



# Three New Families of Hose Reels

## LD Series



Entry level hose reels designed for standard-duty applications

- Single Pedestal Frame
- Composite Spool
- Indoor Use
- Enclosure Available
- Compact Design Fits in Small Spaces
- Non-Sparking Ratchet

### Markets

- Small Maintenance Shops
- Tire/Muffler Shops
- Small Fast Lubes
- Independent Repair Facilities

Frequency of use

Frame Strength

## SD Series



Professional level hose reels designed for frequent, everyday use in a wide variety of applications

- Single Pedestal Frame
- Metal Spool
- Indoor and Moderate Outdoor Use
- Enclosure Available
- Compact Design Fits in Small Spaces
- Non-Sparking Ratchet

### Markets

- Car Dealerships
- Light/Medium-Duty Truck Dealers
- Fleet Maintenance
- Mining Maintenance
- Public Works Garages
- Construction Vehicle Maintenance
- Light-Utility Service Trucks

Frequency of use

Frame Strength

## XD Series



High performance hose reels designed for heavy-duty jobs that require high-frequency use, extra strength and durability

- Dual Pedestal Frame
- Metal Spool
- Rugged, Indoor and Outdoor Use
- Open Models
- Narrow Footprint
- Sealed Springs
- In-Field Spring Adjustment
- Non-Sparking Ratchet
- Sealed Roller Bearings

### Markets

- Heavy-Duty Truck Dealers
- Fleet Maintenance
- Mining Maintenance
- Public Works Garages
- Construction Vehicle Maintenance
- Heavy-Duty Mobile Service Trucks

Frequency of use

Frame Strength

**BUILT GRACO TOUGH**

## Hose Reels



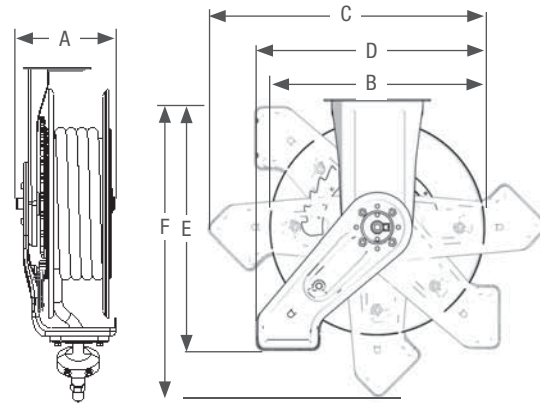
Single pedestal with composite spool. Inlet Hose Kit sold separately.

### Features

- Designed for standard-duty applications such as small service garages and repair shops
- Structurally reinforced frame doesn't flex when handling hose
- Guide arm position easily changes for mounting on bench, ceiling or wall
- Enamel finish protects the reel from the environment
- Lightweight composite spool made from high strength resins resists dents and corrosion
- Compact design easily fits inside tool bench or cabinet
- Enclosure kits available—ideal when appearance and protection is important
- Available in six colors. Metallic blue is standard.

### Dimensions

LD SERIES	
A	7.0 in (177 mm)
B	18.1 in (460 mm)
C	23.4 in (594 mm)
D	19.2 in (488 mm)
E	21.8 in (554 mm)
F	25.2 in (640 mm)



### Ordering Information

### Technical Specifications

APPLICATION	MODEL NUMBERS BY COLOR						PRESSURE	HOSE		CONNECTION SIZE		OPERATING TEMP.	
	Metallic Blue	White	Red	Black	Dark Blue	Yellow		Psi (bar)	ID	Length ft (m)	Inlet npsm (m)		Outlet
Air, Water, Anti-freeze, Windshield Washer Fluid	SIZE 20	HRL56B	HRL56A	HRL56C	HRL56D	HRL56E	HRL56F	300 (20.7)	3/8 in	65 (20)	1/2	3/8 npt (m)	-20° – 190° F (-28° – 87° C)
		HRL65B	HRL65A	HRL65C	HRL65D	HRL65E	HRL65F	300 (20.7)	1/2 in	50 (15)	1/2	1/2 npt (m)	
HRM65B		HRM65A	HRM65C	HRM65D	HRM65E	HRM65F	2,000 (138)	1/2 in	50 (15)	1/2	1/2 npt (m)		
HRH55B		HRH55A	HRH55C	HRH55D	HRH55E	HRH55F	4,000 (276)	3/8 in	50 (15)	3/8	1/4 npt (m)	-40° – 200° F (-40° – 93° C)	

Wetted parts—bare hose reel only: zinc plated steel, anodized aluminum, nitrile rubber      Dry Weight: 44 lbs (20 kg)

### By the Numbers

Part Number Example: HPH55B

Graco's smart part system makes choosing and ordering easy. The example to the right shows a reel with the following specifications:

An SD Series hose reel for high pressure applications with a 3/8" hose diameter, 50' hose length, with a metallic blue single pedestal frame.

NOTE: Example shows a Size 20 reel (see hose diameter column). Refer to charts for each series to find dimensional and additional specifications.



Pedestal	Series	Pressure	Hose Diameter	Hose Length	Color
H = Hose Reel	R = LD P = SD S = XD	L = Low M = Medium H = High	SIZE 10 1 = 1/4" 2 = 3/8" 3 = 1/2" SIZE 20 4 = 1/4" 5 = 3/8" 6 = 1/2"	3 = 35' 5 = 50' 6 = 65' B and D = Shipped with no hose	A = White B = Metallic Blue C = Red D = Black E = Dark Blue F = Yellow

\*Metallic Blue reels available for immediate shipment. Consult factory for lead times for other colors.

# Everyday Workhorse

## SD Series

### Hose Reels



Single pedestal with metal spool. Inlet Hose Kit sold separately.

### Features

- Designed for daily use by professional mechanics
- Structurally engineered frame made from high strength steel won't bend or flex
- Long-lasting spring provides constant spring torque through the entire range of motion
- Flexible positioning of guide arm for mounting on bench or ceiling, wall or utility truck
- Steel spool for demanding applications
- Open swivel ports ensure high fluid flow with minimal pressure loss
- Enclosure kits available – ideal when appearance and protection is important
- Available in six colors. Metallic blue is standard.

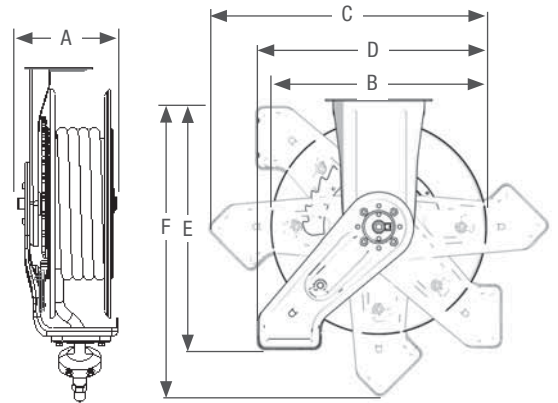
### Dimensions

#### SD SERIES SIZE 10

A	7.0 in (177 mm)
B	16.2 in (412 mm)
C	21.0 in (533 mm)
D	17.1 in (435 mm)
E	19.5 in (495 mm)
F	22.5 in (571 mm)

#### SD SERIES SIZE 20

A	7.0 in (177 mm)
B	18.1 in (460 mm)
C	23.4 in (594 mm)
D	19.2 in (488 mm)
E	21.8 in (554 mm)
F	25.2 in (640 mm)



### Ordering Information

### Technical Specifications

APPLICATION	MODEL NUMBERS BY COLOR						PRESSURE	HOSE		CONNECTION SIZE		OPERATING TEMP.	
	Metallic Blue	White	Red	Black	Dark Blue	Yellow		Psi (bar)	ID	Length ft (m)	Inlet npsm (m)		Outlet
Air, Water, Anti-freeze, Windshield Washer Fluid	SIZE 10	HPL23B	HPL23A	HPL23C	HPL23D	HPL23E	HPL23F	300 (20.7)	3/8 in	35 (11)	1/2	3/8 npt (m)	-20° – 190° F (-28° – 87° C)
		HPL25B	HPL25A	HPL25C	HPL25D	HPL25E	HPL25F	300 (20.7)	3/8 in	50 (15)	1/2	3/8 npt (m)	
	SIZE 20	HPL33B	HPL33A	HPL33C	HPL33D	HPL33E	HPL33F	300 (20.7)	1/2 in	35 (11)	1/2	1/2 npt (m)	
		HPL56B	HPL56A	HPL56C	HPL56D	HPL56E	HPL56F	300 (20.7)	3/8 in	65 (20)	1/2	3/8 npt (m)	
Petroleum- and Synthetic-based Oils	SIZE 10	HPL65B	HPL65A	HPL65C	HPL65D	HPL65E	HPL65F	300 (20.7)	1/2 in	50 (15)	1/2	1/2 npt (m)	
		HPM33B	HPM33A	HPM33C	HRM33D	HRM33E	HPM33F	2,000 (138)	1/2 in	35 (11)	1/2	1/2 npt (m)	
	SIZE 20	HPM3BB*	HPM3BA*	HPM3BC*	HPM3BD*	HPM3BE*	HPM3BF*	2,000 (138)	1/2 in	35 (11)	1/2	1/2 npsm (f)	
		HPM65B	HPM65A	HPM65C	HPM65D	HPM65E	HPM65F	2,000 (138)	1/2 in	50 (15)	1/2	1/2 npt (m)	
Grease	SIZE 10	HPM6DB*	HPM6DA*	HPM6DC*	HPM6DD*	HPM6DE*	HPM6DF*	2,000 (138)	1/2 in	50 (15)	1/2	1/2 npsm (f)	
		HPH15B	HPH15A	HPH15C	HPH15D	HPH15E	HPH15F	5,000 (345)	1/4 in	50 (15)	3/8	1/4 npt (m)	
	SIZE 20	HPH23B	HPH23A	HPH23C	HPH23D	HPH23E	HPH23F	4,000 (276)	3/8 in	35 (11)	3/8	1/4 npt (m)	
		HPH1DB*	HPH1DA*	HPH1DC*	HPH1DD*	HPH1DE*	HPH1DF*	5,000 (345)	3/8 in	35 (11)	3/8	3/8 npt (f)	
SIZE 20	HPH55B	HPH55A	HPH55C	HPH55D	HPH55E	HPH55F	4,000 (276)	3/8 in	50 (15)	3/8	1/4 npt (m)		
	HPH5DB*	HPH5DA*	HPH5DC*	HPH5DD*	HPH5DE*	HPH5DF*	5,000 (345)	3/8 in	50 (15)	3/8	3/8 npt (f)		

Wetted parts—bare hose reel only: zinc plated steel, steel, nitrile rubber

Dry Weight: 52 lbs (23.5 kg)

\* Bare Reel—hose sold separately

# Extreme Performer

## XD Series

### Hose Reels



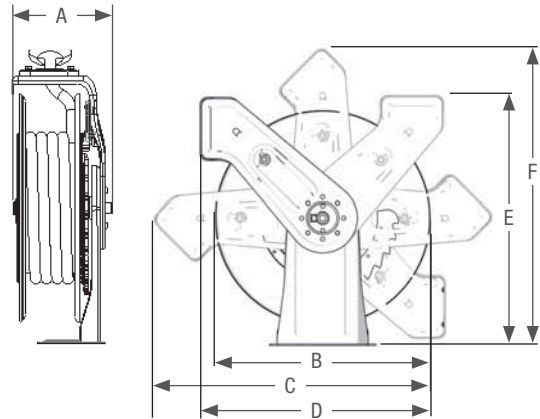
Dual pedestal with metal spool. Built to withstand rugged environments. Inlet Hose Kit sold separately.

### Features

- Designed for robust/heavy-duty applications such as mobile lube trucks or large equipment service
- Dual pedestal frame provides increased strength for extreme-duty applications
- Long lasting spring is sealed for protection against the weather
- Narrow footprint so more reels will fit into the confined spaces of the lube truck
- Durable steel spool rides on sealed roller bearings to ensure trouble-free performance
- Available in three colors. Metallic blue is standard.

### Dimensions

XD SERIES SIZE 10	
A	7.5 in (196 mm)
B	16.2 in (412 mm)
C	21.0 in (533 mm)
D	18.0 in (457 mm)
E	18.5 in (470 mm)
F	22.5 (571 mm)
XD SERIES SIZE 20	
A	7.5 in (196 mm)
B	18.1 in (460 mm)
C	23.4 in (594 mm)
D	20.0 in (508 mm)
E	21.0 in (533 mm)
F	25.2 in (640 mm)



### Ordering Information

### Technical Specifications

APPLICATION		PART NUMBERS BY COLOR			PRESSURE Psi (bar)	HOSE		CONNECTION SIZE		OPERATING TEMP.
		Metallic Blue	White	Yellow		ID	Length ft (m)	Inlet npsm (m)	Outlet	
Air, Water, Anti-freeze, Windshield Washer Fluid	SIZE 10	HSL25B	HSL25A	HSL25F	300 (20.7)	3/8 in	50 (15)	1/2	3/8 npt (m)	-20° – 190° F (-28° – 87° C)
		HSL33B	HSL33A	HSL33F	300 (20.7)	1/2 in	35 (11)	1/2	1/2 npt (m)	
	SIZE 20	HSL56B	HSL56A	HSL56F	300 (20.7)	3/8 in	65 (20)	1/2	3/8 npt (m)	
		HSL65B	HSL65A	HSL65F	300 (20.7)	1/2 in	50 (15)	1/2	1/2 npt (m)	
Petroleum- and Synthetic-based Oils	SIZE 10	HSM33B	HSM33A	HSM33F	2,000 (138)	1/2 in	35 (11)	1/2	1/2 npt (m)	
		HSM3BB*	HSM3BA*	HSM3BF*	2,000 (138)	1/2 in	35 (11)	1/2	1/2 npt (f)	
	SIZE 20	HSM65B	HSM65A	HSM65F	2,000 (138)	1/2 in	50 (15)	1/2	1/2 npt (m)	
		HSM6DB*	HSM6DA*	HSM6DF*	2,000 (138)	1/2 in	50 (15)	1/2	1/2 npt (f)	
Grease	SIZE 10	HSH15B	HSH15A	HSH15F	5,000 (345)	1/4 in	50 (15)	3/8	1/4 npt (m)	
		HSH1DB*	HSH1DA*	HSH1DF*	5,000 (345)	3/8 in	35 (11)	3/8	3/8 npt (f)	
	SIZE 20	HSH55B	HSH55A	HSH55F	4,000 (276)	3/8 in	50 (15)	3/8	1/4 npt (m)	
		HSH5DB*	HSH5DA*	HSH5DF*	5,000 (345)	3/8 in	50 (15)	3/8	3/8 npt (f)	

Wetted parts—Bare hose reel only: zinc plated steel, anodized aluminum, nitrile rubber

Dry Weight: 59 lbs (26.5 kg)

\* Bare reel—hose sold separately

# Complete Your System

## Accessories

### Hose Reels



**NOW AVAILABLE IN SIX COLORS!**



Mounting Channel



Retrofit Bracket to 500 Series



Mounting Bracket



Ball Stop Kit



Inlet Hose Kit

### Reel Enclosures

- Enclosures provide protection to extend the life of hoses and bearings
- Designed for enclosing the LD and SD single pedestal reels

ENCLOSURE KITS FOR ONE REEL	PART NUMBERS BY COLOR					
	White*	Metallic Blue	Red	Black	Dark Blue	Yellow
Size 10 Enclosure	24A217	24A940	24A941	24A942	24A943	24A944
Size 20 Enclosure	24A218	24A945	24A946	24A947	24A948	24A949

\* White enclosures available for immediate shipment. Consult factory for lead-time for other colors.

### Reel Enclosure End Caps

A pair (2) of end panels finish the reel bank by capping the open ends

- Easily removed for easy access to the reels

24A950\* Size 10 enclosure      24A951\* Size 20 enclosure      \*Available in black only

### Mounting Channels

Enclosure mounting channels accommodate one, two, three, four, five or six reels (includes all parts needed to mount hose reels to walls or ceilings)

DESCRIPTION	MOUNTING CHANNEL					
	1 Reel	2 Reels	3 Reels	4 Reels	5 Reels	6 Reels
LD/SD Open	24A934	24A935	24A936	24A937	24A938	24A939
XD Open	24A219	24A220	24A221	—	—	24A222
LD/SD Enclosed	203521	203522	203523	203524	203525	203526

### Retrofit Adapter Kit to 500 Series

24A224 Includes all parts to mount hose reel to existing 500 series mounting pattern

### Mounting Bracket

204741 Secures mounting channel to I-beam without drilling. Two brackets are required for 1-3 hose reels; three brackets for 4-6 hose reels.

### Ball Stop Kits

Includes all parts and hardware to replace the ball stop

PART NUMBER	ID (INCHES)	TYPICAL HOSE ID
222225	.53	For 1/4 in i.d. hose (6.4 mm)
218340	.656	For 1/4-3/8 in i.d. hose (6.4-9.5 mm)
218341	.782	For 3/8-1/2 in i.d. hose (9.5-12.7 mm)

### Swivel Seal Repair Kits

Rebuild kit consisting of new swivel o-rings and back up seals

24A952 For low- and medium-pressure hose reel

24A953 For high-pressure hose reel

### Inlet Hose Kits\*

218549 2000 psi (138 bar) for low- and medium-pressure 1/2 in id x 24 in (12.7 mm x 0.6 m in length)

218550 4000 psi (276 bar) for high-pressure 3/8 in id x 24 in length (9.5 mm x 0.6 m in length)

224417 5000 psi (345 bar) for high-pressure 1/4 in id x 24 in length reels (9.1 mm x 0.6 m in length)

\* Must be ordered separately. Includes 90° swivel.



## ABOUT GRACO

### PROVEN QUALITY. LEADING TECHNOLOGY.

Founded in 1926, Graco is a world leader in fluid handling systems and components. Graco products move, measure, control, dispense and apply a wide range of fluids and viscous materials used in vehicle lubrication, commercial and industrial settings.

The company's success is based on its unwavering commitment to technical excellence, world-class manufacturing and unparalleled customer service. Working closely with qualified distributors, Graco offers systems, products and technology that set the quality standard in a wide range of fluid handling solutions. Graco provides equipment for spray finishing, protective coating, paint circulation, lubrication, and dispensing sealants and adhesives, along with power application equipment for the contractor industry. Graco's ongoing investment in fluid management and control will continue to provide innovative solutions to a diverse global market.

## GRACO LOCATIONS

### MAILING ADDRESS

P.O. Box 1441  
Minneapolis, MN 55440-1441  
Tel: 612-623-6000  
Fax: 612-623-6777

### AMERICAS

#### MINNESOTA

Worldwide Headquarters  
Graco Inc.  
88-11th Avenue N.E.  
Minneapolis, MN 55413

### EUROPE

#### BELGIUM

European Headquarters  
Graco N.V.  
Industrieterrein-Oude Bunders  
Slakweidestraat 31  
3630 Maasmechelen,  
Belgium  
Tel: 32 89 770 700  
Fax: 32 89 770 777

### ASIA PACIFIC

#### AUSTRALIA

Graco Australia Pty Ltd  
Suite 17, 2 Enterprise Drive  
Bundoora Victoria 3083  
Australia  
Tel: 61 3 9467 8558  
Fax: 61 3 9467 8559

#### CHINA

Graco Hong Kong Ltd.  
Shanghai Representative Office  
Room 118 1st Floor  
No.2 Xin Yuan Building  
No.509 Cao Bao Road  
Shanghai, P.R. China 200233  
Tel: 86 21 649 50088  
Fax: 86 21 649 50077

#### INDIA

Graco Hong Kong Ltd.  
India Liaison Office  
Room 432, Augusta Point, Regus  
Sector 53, Golf Course Road  
Gurgaon, Haryana, India 122001  
Tel: +91 124 435 4208  
Fax: +91 124 435 4001

#### JAPAN

Graco K.K.  
1-27-12 Hayabuchi  
Tsuzuki-ku  
Yokohama City, Japan 2240025  
Tel: 81 45 593 7300  
Fax: 81 45 593 7301

#### KOREA

Graco Korea Inc.  
Choheung Bank Building  
4th Floor #1599  
Gwanyang-Dong, Dongan-Ku,  
Anyang-Si, Gyunggi-Do,  
Korea 431-060  
Tel: 82 31 476 9400  
Fax: 82 31 476 9801

## SALES/ DISTRIBUTION/ SERVICE

Call today for product information or to talk with a Graco representative.

**1-800-533-9655** or visit us at [www.graco.com](http://www.graco.com).

Graco Inc. is registered to I.S. EN ISO 9001

North America  
Customer Service  
800-533-9655  
Fax 800-533-9656